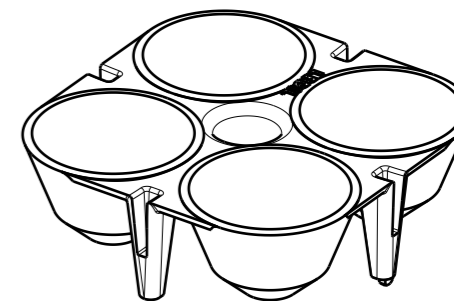
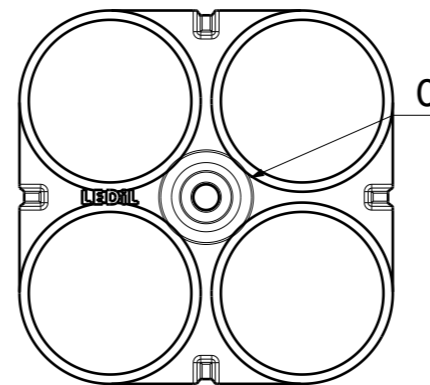
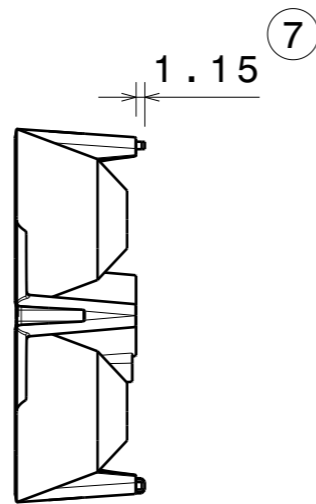
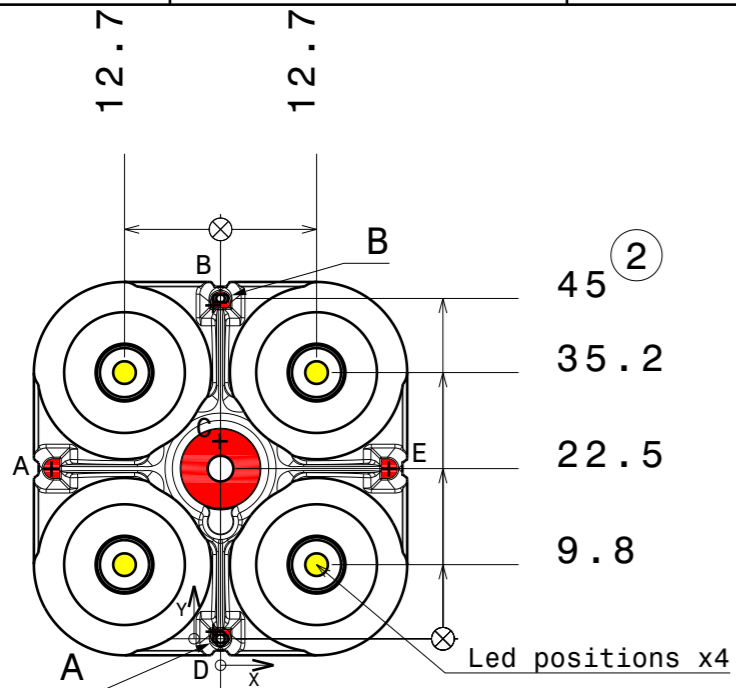
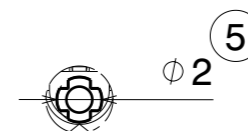
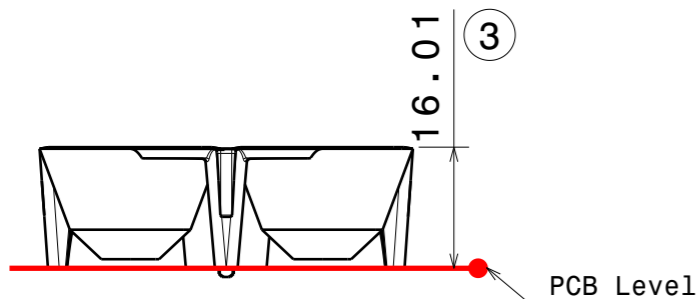


REV	DATE
001	24.06.2026

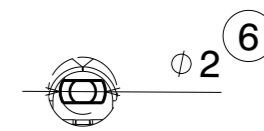


①

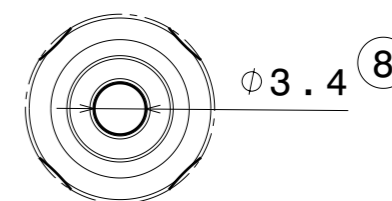
□	0.5	
REF.	X	Y
A	-22,2	22,5
B	-1	44
C	0	26
D	-1	1
E	22,2	22,5



Detail A
Scale: 3:1



Detail B
Scale: 3:1



Detail C
Scale 2:1

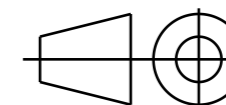
PART	MATERIAL	COLOR / COATING
C17991_SPORT-2X2-S1_019_MechanicalModel_001	PMMA	Clear

MECHANICAL DRAWING

PRODUCT
SPORT

Plastic moulding general tolerances according to DIN 16901-130 and applies if not otherwise shown in the drawing. Silicone moulding general tolerances according to ISO 3302-1 Class M3 and applies if not otherwise shown in the drawing.

FIRST ANGLE PROJECTION:



LEDiL

This drawing is the property of LEDiL Oy. It may not be copied or otherwise distributed without prior written permission from LEDiL Oy.

SCALE 1:1

WEIGHT -

A3 SHEET 1/1

Notes

●	PCB or heatsink level.
●	LED location
For more details about installation please see LEDiL Installation Guide on www.ledil.com	